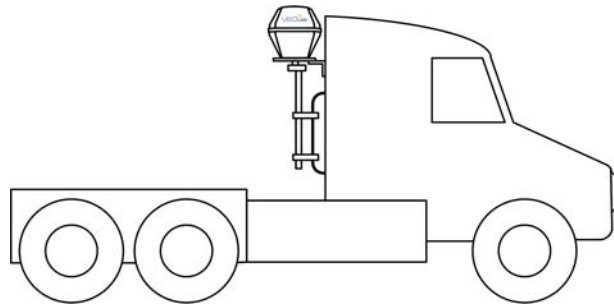
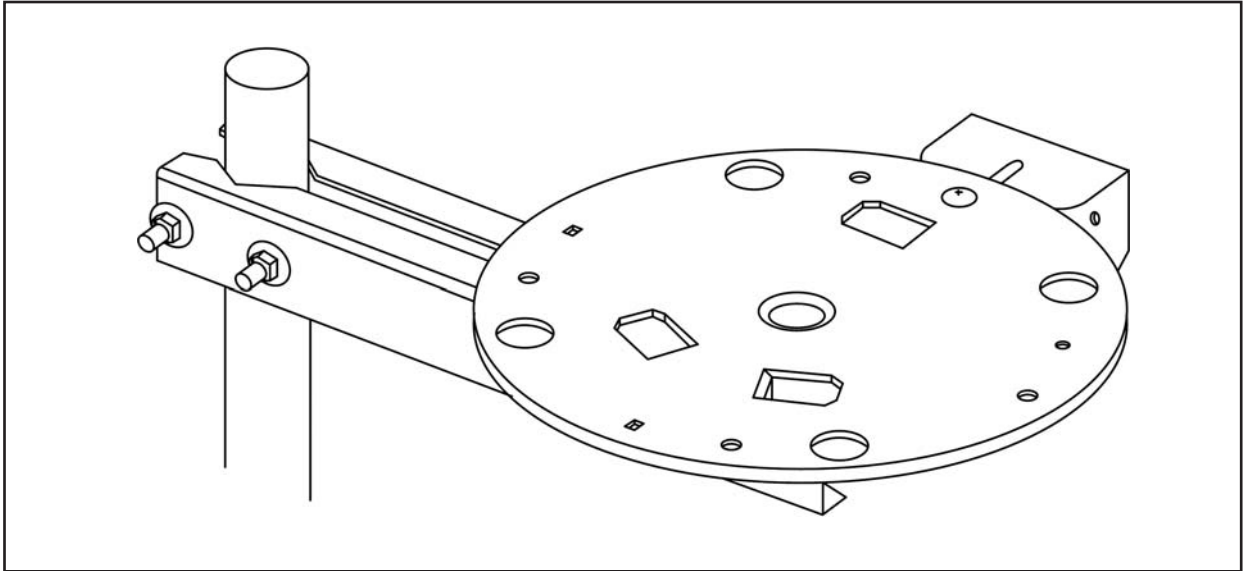




MB200 Hand Rail Mounting Bracket

Installation Instructions

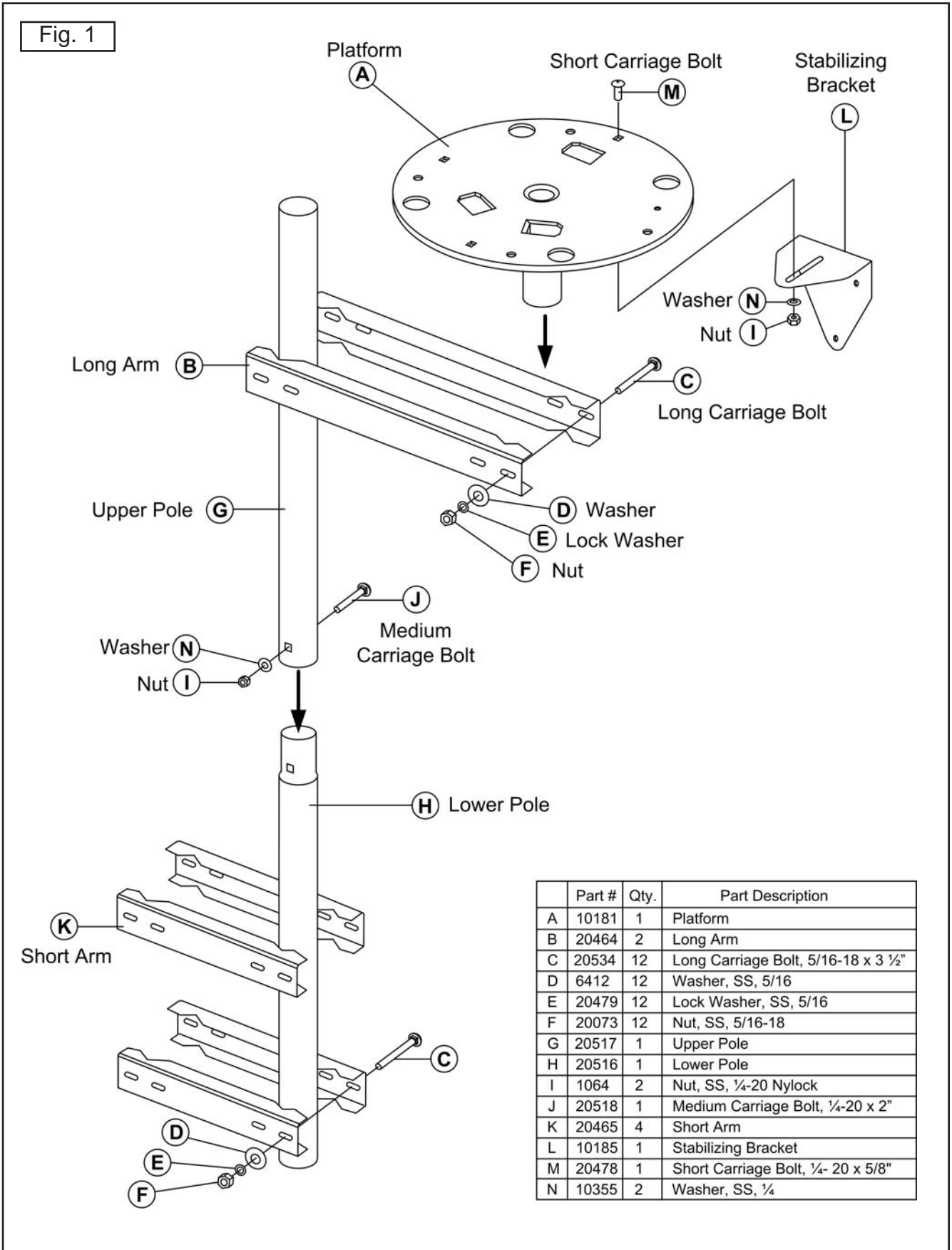


Satellite Solutions for Mobile Markets

11200 Hampshire Avenue South, Bloomington, MN 55438-2453
Phone: (800) 982-9920 Fax: (952) 922-8424

www.kingcontrols.com

1. Please unpack and verify all components are included, and read thru the instructions to familiarize yourself with the assembly before beginning the installation (**Fig. 1**).



Note: a) The MB200 bracket was specially designed to be installed without drilling any holes. This will work for the majority of vehicles with vertical hand rails and a solid back.

The MB200 bracket **MUST BE INSTALLED ON A CAB MOUNTED HAND RAIL, AND NOT TO ANYTHING ATTACHED TO THE HEADACHE RACK.**

b) The VuQube is a directional antenna and requires an unobstructed view to the southern sky (**Fig. 3**).

Be sure at least 4" of the VuQube enclosure are above the highest part of the roof so that adequate signal can be received by the antenna.

When installing the bracket, adjust the height of the arms on the handrail and on the upper and lower poles to assure the top of the VuQube is positioned a minimum of 4" above the cab (**Fig. 2**).

If you are unable to install the VuQube 4" above the cab due to height restrictions, install it with the maximum available clearance. If the VuQube is too low there may be difficulty acquiring satellite signal in the northern U.S.

c) The VuQube requires a 16" wide space to be mounted.

d) Select a location on the back of the cab free from any obstruction (smoke stacks, brackets, air conditioning units, etc.) that may physically interfere with the satellite signal reaching the antenna.

Fig. 2

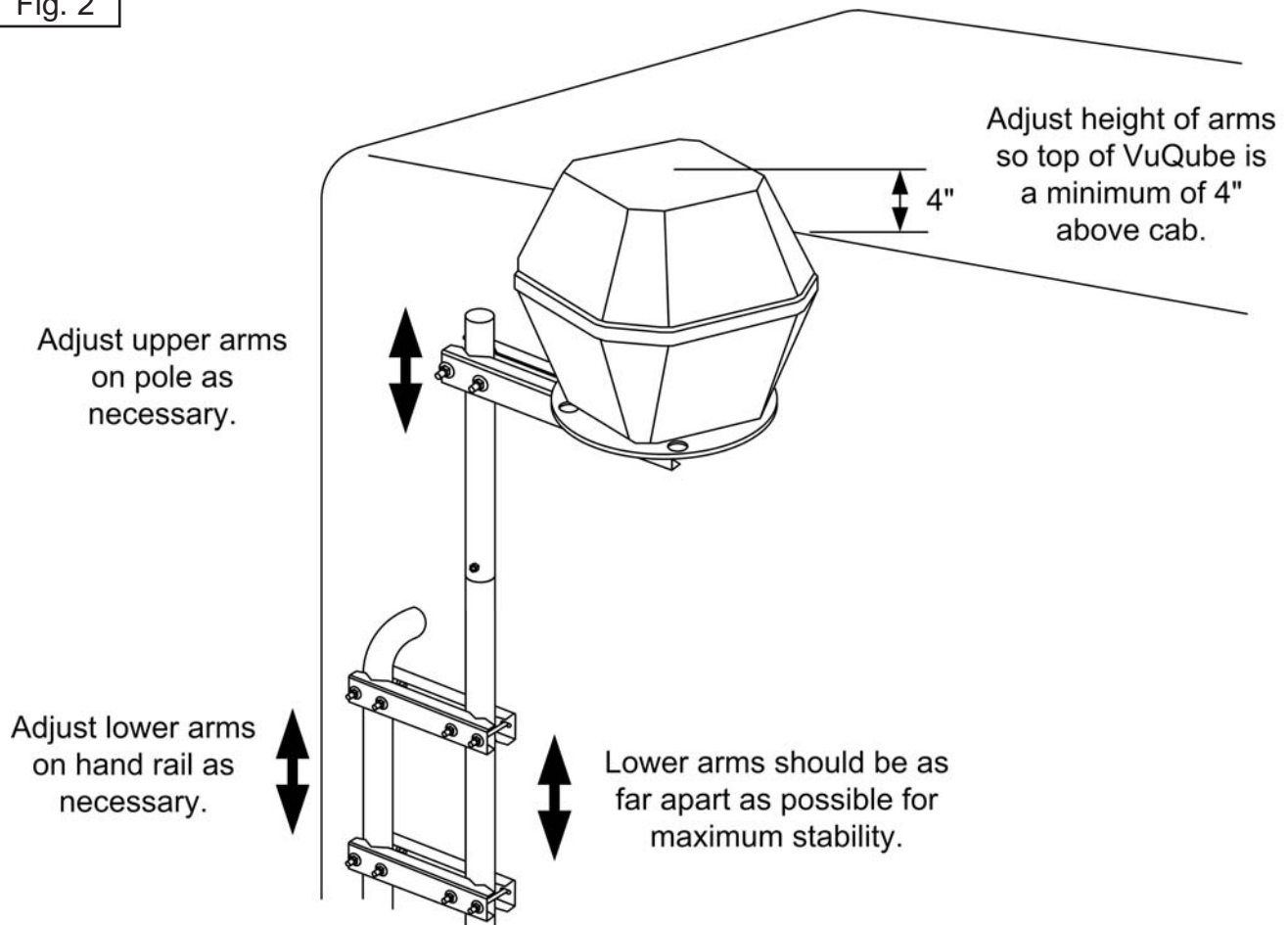
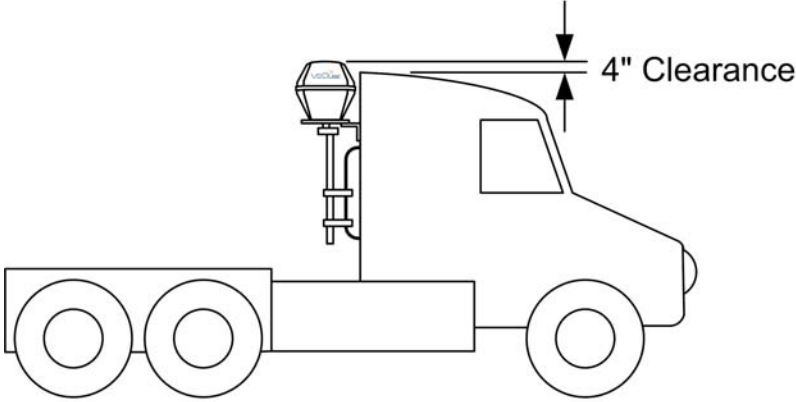


Fig. 3

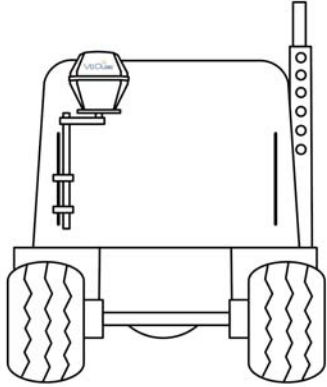
CORRECT

Minimum of 4" clearance above highest part of cab roof.



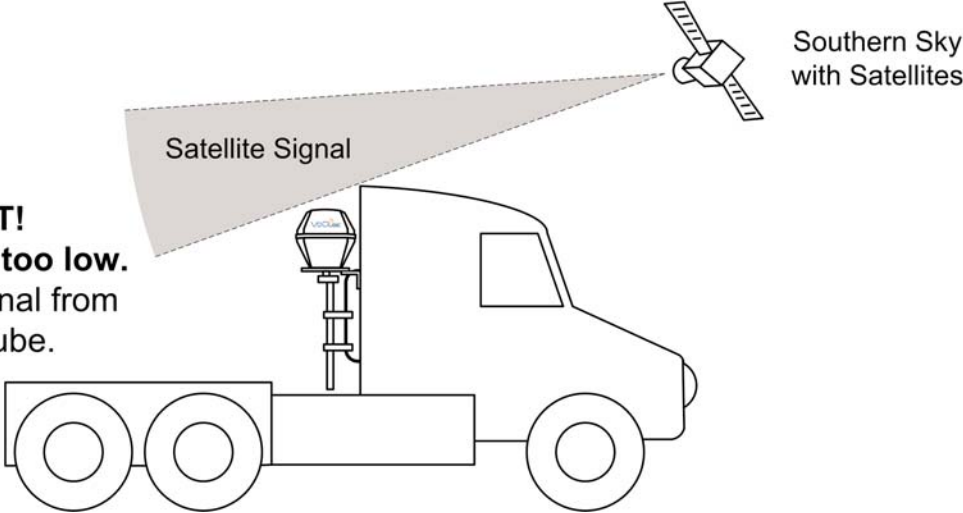
CORRECT

Mounted away from objects that may block signal such as smoke stacks, brackets, beacons, logistic devices, etc.



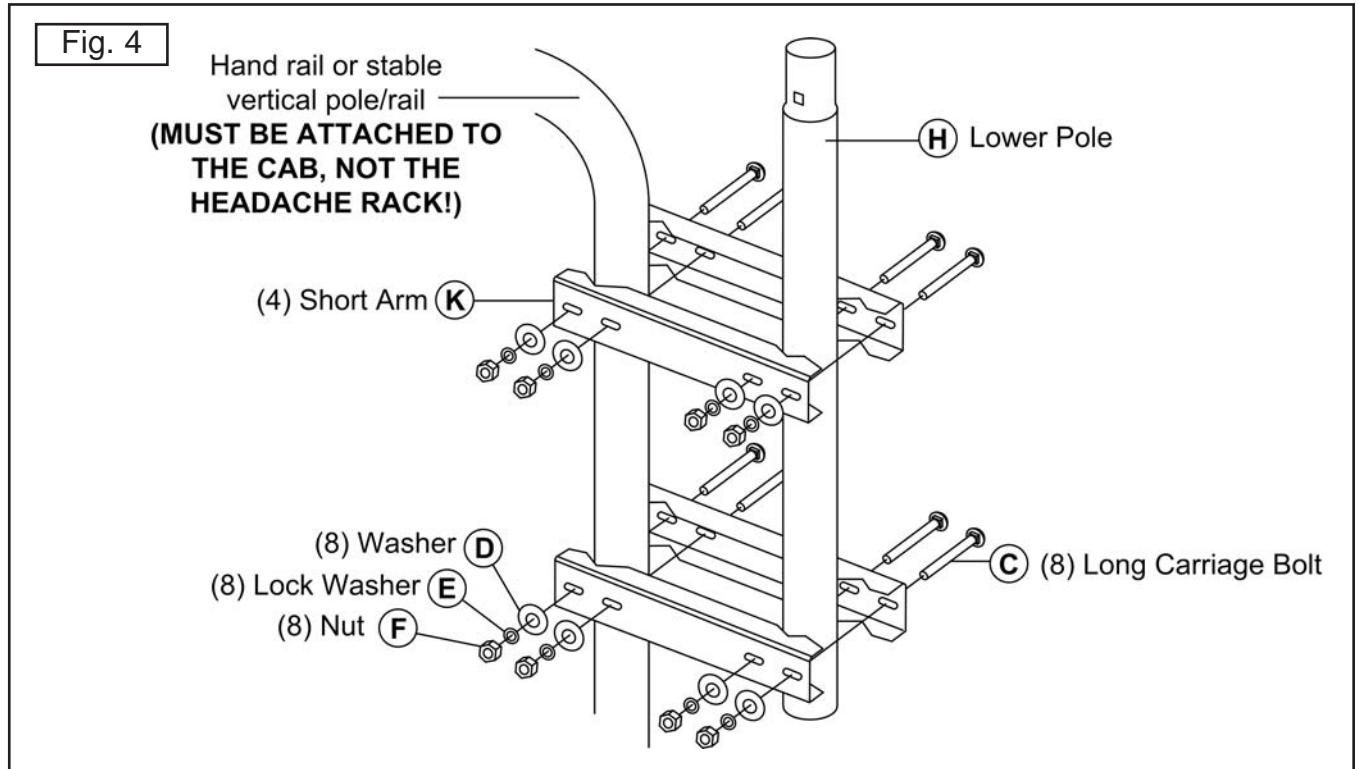
INCORRECT!

VuQube mounted too low.
Cab may block signal from reaching VuQube.



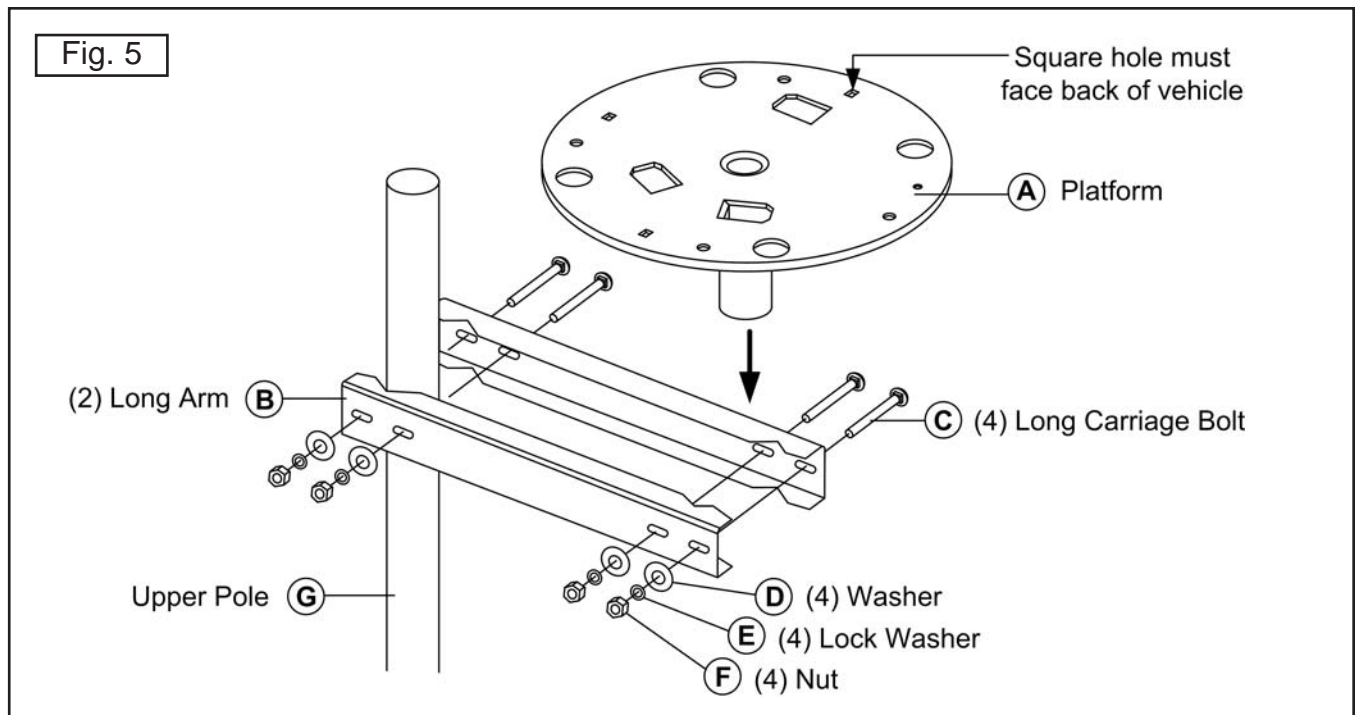
Note: If the top of the VuQube cannot be mounted 4" above the back of the cab due to height restrictions, you may have problems receiving signals in the northern U.S.

- Secure the lower pole (H) to the hand rail with the short arms (K), long carriage bolts (C), washers (D), lock washers (E) and nuts (F) (**Fig. 4**).

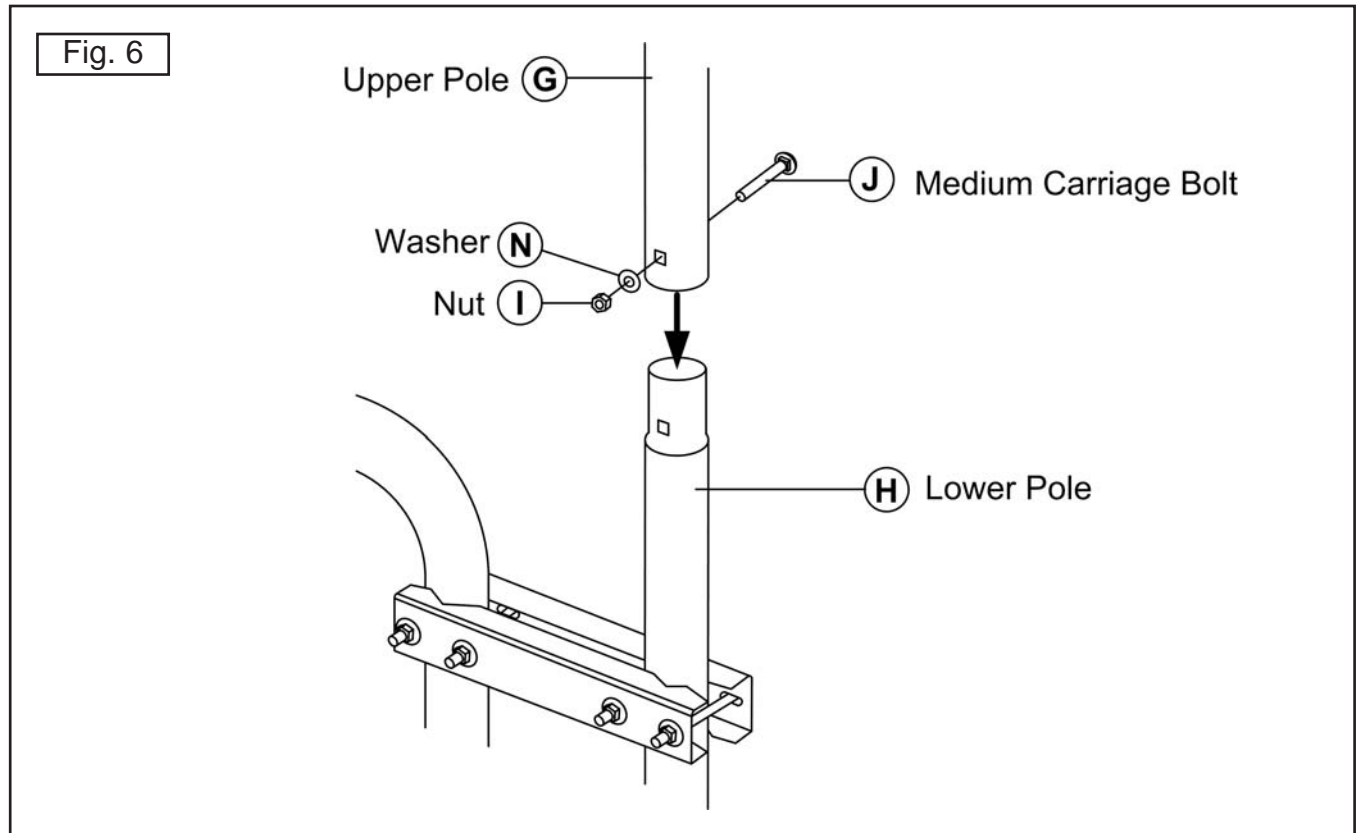


- Secure the platform (A) to the upper pole (G) with the long arms (B), long carriage bolts (C), washers (D), lock washers (E) and nuts (F) (**Fig. 5**).

The stabilizing bracket adheres to the back of the vehicle and fastens to one of the square holes in the platform. **Make sure one of the square holes faces the back of the vehicle.**



- Secure the upper pole (G) to the lower pole (H) with the medium carriage bolt (J), washer (N) and nut (I) (**Fig. 6**).



IMPORTANT! An adhesive backed bracket (L) is included to stabilize the VuQube. **THIS BRACKET MUST BE ATTACHED TO THE VEHICLE USING THE ADHESIVE STRIPS ON THE BRACKET.** Failure to attach this bracket will void the VuQube warranty.

The area where the adhesive will adhere to the vehicle must be flat, free of contaminants and have the paint tightly adhered.

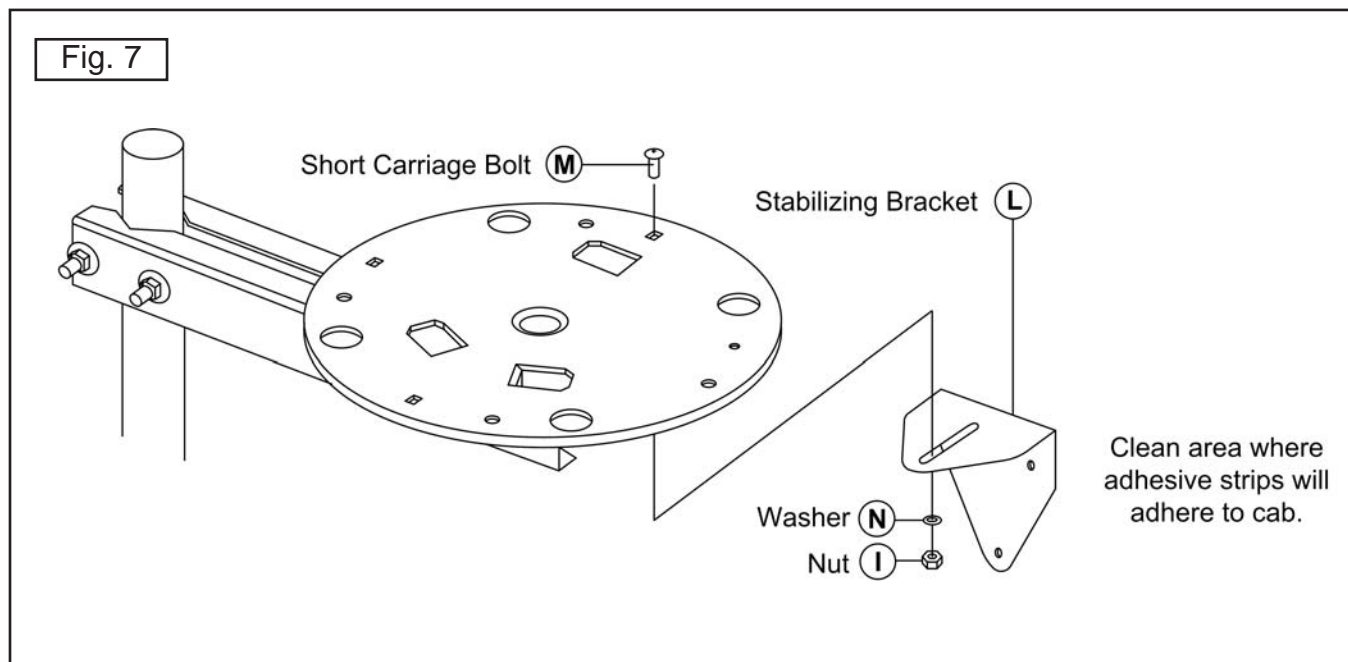
The temperature must be above 65° for the adhesive to adhere properly.

- TEMPORARILY** place the VuQube in position on the platform (threaded studs on VuQube will go thru matching holes in platform). Verify VuQube is at correct height and stabilizing bracket will reach back of vehicle. (Stabilizing bracket will slide along slot to reach back of vehicle.) Remove VuQube from platform.

If not at correct height, **REMOVE VUQUBE FROM PLATFORM FIRST**, then adjust height of assembly as necessary. Repeat step 5 as necessary.

- Use alcohol to thoroughly clean the area where the adhesive on the bracket will contact the vehicle.

7. Fasten the stabilizing bracket (L) to the platform with the short carriage bolt (M), washer (N) and nut (I). **DO NOT TIGHTEN COMPLETELY. BRACKET SHOULD SLIDE BACK AND FORTH ALONG SLOT (Fig. 7).**
8. Remove the protective tape from adhesive strips on bracket and press firmly onto the vehicle.
9. Tighten nut.
10. Allow adhesive to dry 20 minutes.



11. Install the VuQube as shown in the VuQube Installation and Operating Instructions.

IMPORTANT! VuQube and King Controls are not liable for any damage incurred by the drilling or improper sealing of any holes required to install the VuQube or any bracket needed to mount the VuQube to a vehicle.



11200 Hampshire Avenue South, Bloomington, MN 55438-2453
Phone: (800) 982-9920 Fax: (952) 922-8424

www.kingcontrols.com

